



Designed for a _____
Superior Bathroom
experience!

EXPERIENCE



This has been the philosophy of PEARL PRECISION PRODUCTS PVT. LTD. from its inception. From a humble beginning in the year 1986, the organization has taken a giant leap with Six manufacturing units in Noida. A dream which was conceived in the mid-eighties has virtually turned into reality.

OUR JOURNEY SINCE 1986



B-47, Sec. 81, Noida
CP Bath Fittings



B-46, Sec. 81, Noida
CP Bath Fittings
Kitchen Sinks
Sheet Metal



C-86, Sec. 88, Noida
Flushing Cisterns



B-14, Sec. 80, Noida
P.T.M.T. Taps
Concealed Cisterns



B-86, Sec. 80, Noida
Pipes & Fittings
CPVC | UPVC | AGRI | SWR



Plot-81, Sec. Ecotech-1,
Extension, Greater Noida
Water Tanks

OUR CLIENT LIST

URBAN DEVELOPMENT & WORKS DEPARTMENT
CPWD, PWD, NDMC, AIIMS.

ARMED FORCES
MES (Army, Air Force, Navy), BSF, CRPF,
GREF, Ordnance Factory.

TRANSPORT SECTOR
Indian Railways, Air Port Authority of India.

HEALTH SERVICES SECTOR
AIIMS, Central Government Hospital,
State Government Hospital, PGI - Chandigarh.

PSUs
ONGC, IOCL, BHEL, COAL India,
Rail Coach Factory.

EDUCATION SECTOR
Delhi University, Banaras Hindu University,
IITs, NITs.

POWER SECTOR
Atomic & Nuclear Power Station, NTPC, BBMB.

HOUSING SECTOR
State Housing Boards. Police Housing Boards.

WHY SPARSH PEARL ?



DURABLE



400 kg Weight Test

All wall hung WC pans and concealed cisterns can hold up to 400 kg.



Weight Test

All seats and covers are subjected to a weight test.



Open/Close Test

All seats and covers are subjected to an open/close test.

SILENT



Soft Close Seats & Covers

Soft Close Seats & Covers
Soft Closing and silent
Special technology

WATER CONSERVING



1 Ltr. Urinals

Saves water with only 1 Ltr. of water consumption.

HYGIENIC



Glazed Duct and Flusher Interior

WC pans are dirt-proof, easy-cleaning and hygienic thanks to the glazed surface in duct and flusher.



Functional Test

All WC pans are subjected to a 6-liters functional test.



Odor Test

All WC pans are subjected to an odor leakage test.



Easily Removable Seats & Covers

Easy to clean thanks to the special hinge.

SPACE SAVING



Wall Hung WC Pans and Wall Concealed Cisterns

Requires very little space and provides easy bottom cleaning.



Compact WC Pan

Occupies very little space compared to other WC pans with its compact size.



7 RIMLESS



MORE
HYGIENIC



MORE
ECOLOGICAL



EASY TO
INSTALL



WATER SAVING



HYGIENIC



STAIN FREE



ECO FRIENDLY



SOFT
CLOSE



TAKE-OFF
SYSTEM



HIDDEN
FIXING SYSTEM



GLAZED
SIPHON

INDEX



01-02
ONE PIECE CLOSET



11
BASIN WITH HALF PEDESTAL



03-04
WALL HUNG CLOSET



12
WATER CLOSET



05-06
TABLE TOP BASIN



13
URINAL



7
SMALL BASIN



14
PAN



8
ONE PIECE WASH BASIN



15
COMBO PACK



9
ONE PIECE BASIN



16
CONCEALED CISTERN



10
BASIN WITH FULL PEDESTAL



16
P-TRAP | CONCEALED FLUSH VALVE

ONE PIECE CLOSET



Elevate Your Bathroom Aesthetics

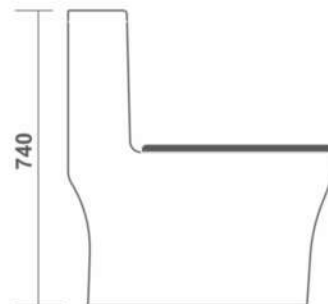


MARCO : SL-9092 (Washdown)

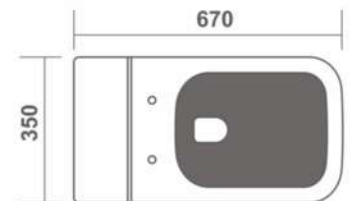
Dual Flush | Soft Close Seat Cover

645 x 350 x 735 mm

Size Available: 9", 12" & P Trap



AMERICO : SL-9094





LORIS : SL -9090 (Washdown)

Dual Flush | Soft Close Seat Cover
640 x 355 x 740 mm
Size Available : 9" & P Trap



ROMANO: SL-9091 (Washdown)

Dual Flush | Soft Close Seat Cover
660 x 355 x 735 mm
Size Available : 9" & P Trap



ANTONIO: SL-9093 (Washdown)

Dual Flush | Soft Close Seat Cover
680 x 355 x 715 mm
Size Available: 4", 9", 12" & P Trap



AMERICO: SL-9094 (Washdown)

Dual Flush | Soft Close Seat Cover
670 x 350 x 740 mm
Size Available: 9", 12" & P Trap



Quick Release Seat Cover Hinges



2D

SOLARA: SL-9096 (Siphonic) *

Dual Flush | Soft Close Seat Cover
670 x 370 x 750 mm
Size Available: 9" & 12"



3D

ELENA: SL-9095 (Rimless Siphonic) *

Dual Flush | Soft Close Seat Cover
655 x 365 x 745 mm
Size Available : 9" & 12"



4D

ENRICO: SL-9097 (Rimless Siphonic) *

Dual Flush | Soft Close Seat Cover
657 x 365 x 740 mm
Size Available: 9" & 12"



Siphonic
Flushing



Rimless
Design



Tornado
Flush

WALL HUNG CLOSET

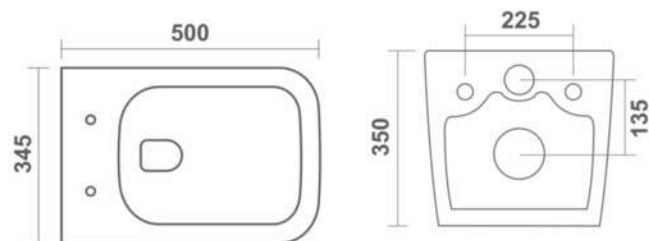


Enhancing Your Bathroom
with Unparalleled Beauty

DAVE:SL-9115

Outlet-Inlet Gasket | Soft Close Seat Cover

Dimensions: 505 x 345 x 350 mm



DAVE : SL-9115



LUKE : SL-9110

Outlet-Inlet Gasket | Soft Close Seat Cover
Dimensions: 515 x 365 x 360 mm



MIKE : SL-9113

Outlet-Inlet Gasket | Soft Close Seat Cover
Dimensions: 515 x 365 x 355 mm



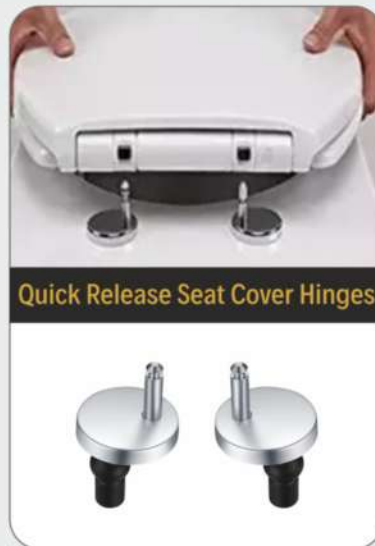
LEVI : SL-9116

Outlet-Inlet Gasket | Soft Close Seat Cover
Dimensions: 533 x 360 x 350 mm



ALEX : SL-9111

Outlet-Inlet Gasket | Soft Close Seat Cover
Dimensions: 530 x 360 x 350 mm



LILY : SL-9112

Outlet-Inlet Gasket | Soft Close Seat Cover
Dimensions: 510 x 360 x 345 mm



ERIC : SL-9114

Outlet-Inlet Gasket | Soft Close Seat Cover
Dimensions: 505 x 375 x 335 mm



CLARA : SL-9117

Outlet-Inlet Gasket | Soft Close Seat Cover
Dimensions: 535 x 350 x 365 mm

TABLE TOP BASIN



Inspired by Beauty
Crafted for You!



ROSA : SL-9132

Dimensions: 485 x 370 x 130 mm



SIMON : SL-9130

Dimensions: 422 x 335 x 125 mm



FLORA : SL-9131

Dimensions: 400 x 345 x 170 mm



SAGE: SL-9133

Dimensions : 512 x 405 x 148 mm



SWAN : SL-9134

Dimensions : 505 x 365 x 130 mm



BLAZE : SL -9135

Dimensions : 430 x 430 x 130 mm



CADY: SL-9136

Dimensions: 420 x 420 x 125 mm



PARIS : SL-9137

Dimensions : 540 x 410 x 135 mm



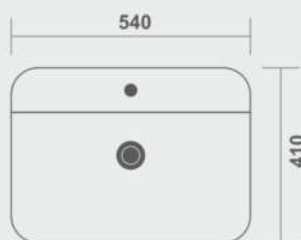
DANA: SL-9138

Dimensions: 535 x 360 x 112 mm



NORA: SL-9139

Dimensions: 555 x 405 x 120 mm



PARIS : SL-9137



LEO: SL-9141

Dimensions : 455 x 335 x 130 mm



CORAL : SL -9140

Dimensions: 405 x 405 x 125 mm



SARAH: SL-9142

Dimensions: 620 x 350 x 105 mm

SMALL BASIN



AERO: SL-9150

Dimensions: 475 x 370 x 180 mm



VIVA: SL-9153

Dimensions: 450 x 350 x 135 mm



VERVE: SL-9156

Dimensions: 362 x 336 x 145 mm



LUNA: SL-9151

Dimensions : 425 x 345 x 140 mm



JADE: SL-9154

Dimensions: 460 x 350 x 155 mm



NOVA: SL-9152

Dimensions : 425 x 310 x 135 mm



ELITE: SL-9155

Dimensions: 351 x 347 x 145 mm



VITA: SL-9157

Dimensions: 580 x 500 x 175 mm

ONE PIECE WASH BASIN



GLORY : SL -9170

Dimensions : 350 x 355 x 285 mm



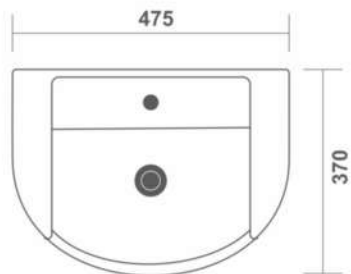
VIOLET: SL-9171

Dimensions : 375 x 370 x 260 mm



MALLOW : SL-9172

Dimensions : 470 x 435 x 365 mm

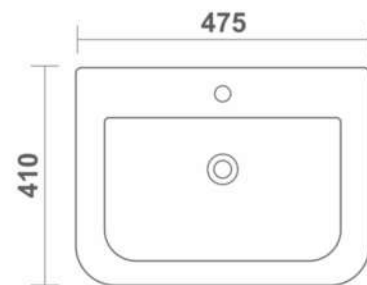
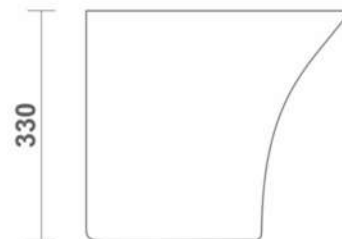


AERO : SL-9150



ARIES : SL -9173

Dimensions : 475 x 410 x 330 mm



ARIES : SL-9173

ONE PIECE BASIN

Steal the show
with immaculate designs



JASPER : SL-9180
415 x 405 x 825 mm



BASIN WITH FULL PEDESTAL



VERVE : SL -9190

Dimensions: 515 x 415 x 870 mm

Basin (SL-9270)

Pedestal (SL-9280)



CRESTA : SL -9191

Dimensions: 510 x 395 x 855 mm

Basin (SL-9271)

Pedestal (SL-9281)



JAZZ : SL -9192

Dimensions: 575 x 485 x 870 mm

Basin (SL-9272)

Pedestal (SL-9281)



FALCON : SL-9193

Dimensions: 560 x 450 x 825 mm

Basin (SL-9273)

Pedestal (SL-9281)



GIGA : SL-9194

Dimensions: 585 x 455 x 850 mm

Basin (SL-9274)

Pedestal (SL-9281)



WAVE: SL-9195

Dimensions: 575 x 430 x 850 mm

Basin (SL-9275)

Pedestal (SL-9281)

BASIN WITH HALF PEDESTAL



ENIGMA : SL-9200

Dimensions: 450 x 350 x 445 mm



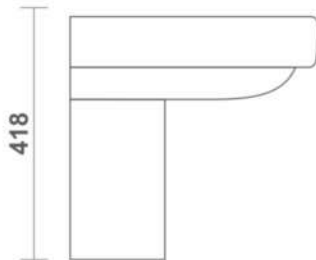
ASTRA : SL-9201

Dimensions: 460 x 335 x 418 mm



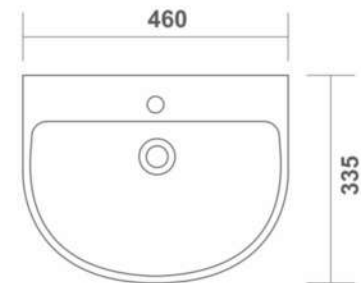
VEGA : SL-9202

Dimensions: 510 x 395 x 475 mm



LYRA : SL-9203

Dimensions: 560 x 450 x 460 mm



ASTRA : SL-9201

WATER CLOSET



LUMOS: SL-9210

Dimensions: 470 x 370 x 410 mm

*Seat Cover is not included.



DELTA : SL-9211

Dimensions: 465 x 365 x 390 mm

*Seat Cover is not included.



SPECTRA: SL-9212

Dimensions: 533 x 344 x 392 mm



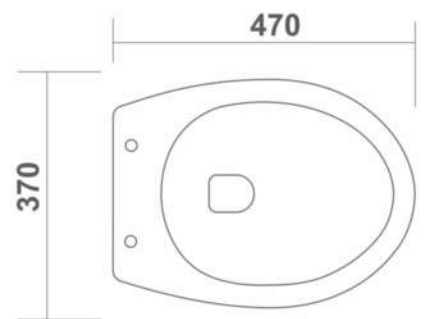
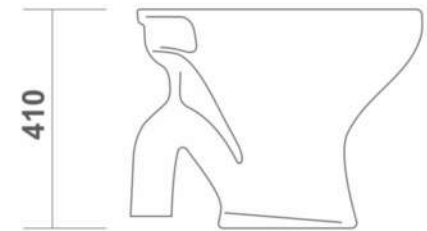
ANGLO INDIAN: SL-9213

Dimensions: 530 x 415 x 455 mm



SOLIS: SL-9214

Dimensions: 520 x 375 x 390 mm



LUMOS: SL-9210

URINAL



MAXIMA: SL-9220

Dimensions: 340 x 265 x 465 mm



ZION: SL-9221

Dimensions: 280 x 300 x 390 mm



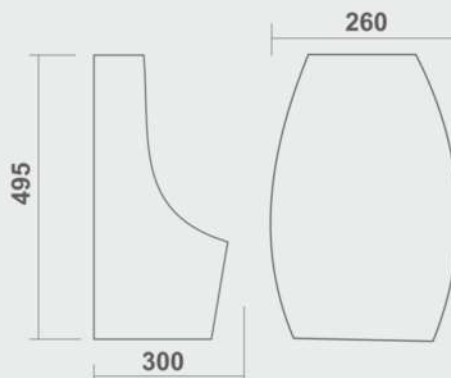
VORTEX: SL-9222

Dimensions: 260 x 300 x 495 mm



IGNITE: SL-9223

Dimensions: 335 x 305 x 520 mm



VORTEX: SL-9222



PRISM: SL-9224

Dimensions: 335 x 320 x 565 mm



CITY PAN 20" : SL -9231

Dimensions: 520 x 430 x 180 mm



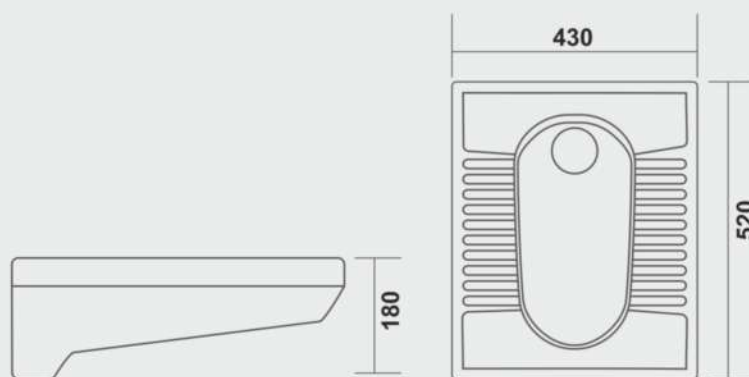
FLAT ORRISA PAN 20" : SL -9232

Dimensions: 525 x 435 x 285 mm



ORRISA PAN 23" : SL -9233

Dimensions: 610 x 440 x 320 mm



CITY PAN 20" : SL-9231

COMBO PACK



COMBO-1: SL-9250

LUMOS (EWC) + FLO CISTERN + ECO SEAT COVER + PVC MULTI JET SPRAY



COMBO-2: SL-9251

LUMOS (EWC) + FLO CISTERN + ECO SEAT COVER + NEO HEALTH FAUCET

CONCEALED CISTERN



**CONCEALED QUICK
FLUSHING CISTERN :**
CCQF-100

(Actuator Plate, Frame & Extra Fittings not included)



**CONCEALED QUICK
FLUSHING CISTERN:**
CCQF-101

(Actuator Plate not included)



**CUBO
ACTUATOR PLATE :**
C-033



**RECTO
ACTUATOR PLATE :**
C-034



**BLACK - CUBO
ACTUATOR PLATE:**
C-035



**BLACK - RECTO
ACTUATOR PLATE:**
C-036

SINGLE FLUSHING CISTERN



SINGLE FLUSHING CISTERN:
10 LTRS.
SL-013

Master Box: 10 Pcs.

P TRAP



P-TRAP: SL-9240

Grass/Paper Packing

(4 Pcs. Set)

P-TRAP: SL-9241

Box Packing

(4 Pcs. Set)



UF : SL-9242



UF : SL-9243

CONCEALED FLUSH VALVE



ALL-326

Round - 32 MM



ALL-328

Square - 32 MM

TROUBLE SHOOTING GUIDE

ITEM	PROBLEM	PROBABLE REASONS	CORRECTIVE ACTIONS
Wash Basins / Table Top	1. Overflow Chocked And Foul Bed Odor	Waste Coupling Used May Be Full Threaded	Waste Coupling Should be Changed To Slot Cut Coupling
	2. Water Deposit On Tap Platform Area And Inside Bowl Area	Basin Is Not Fixed In Level OR Bracket Is Not In Level	Should Be Done By Proper Leveling
	3. There Is No Tap Hole In Basin	Tap Hole Could Be Semi Punched From Back Side	Tap Hole Should Be Created By Plumber From Semipunched Area
Ewc / Pan / Anglo Indian	1. Water Not Coming In Bowl Area While Flushing	Flush Bend Is Not Inserted Up To The End Of Inlet Hole	Insert The Flush Pipe Up To The End Of Inlet (For Pan Closet: Check Whether Flush Pipe Is Not Covering Flush Hole Which Is In Both Side Of Inlet Wall)
		Closet / Pan May Be Not Leveled	Should Be Done By Proper Leveling
One Piece Closet	1. Water Not Coming In Bowl Area While Flushing	Mechanism Inside Tank Could Not Working Properly	Change The Centre Pump Of Mechanism
		There Is No Water In Flush Tank	Increase The Ball Cock Height To the Max Level
	2. Water Is Continuously Leaking Inside The Bowl	Mechanism Inside Tank Could Not Working Properly	Change The Centre Pump Of Mechanism
	3. Water Quantity Insufficient For Effective Flushing	Ball Cock Height Adjusted At Lower Level	Increase The Ball Cock Height To The Max Level
	4. Uneven Flow Of Water From Both Side of Closet.	Closet Is Not Leveled Properly	Closet Should Be In Proper Level
Wallhung Water Closet	1. Water Not Coming In Bowl Area While Flushing	Flushing Valve May Not Working Properly / Concealed Cistern Is Not Working Properly	Should Change Flush Valve / Concealed Cistern
		Flush Pipe Is Not Inserted Up To The End Of Inlet Hole	Insert The Flush Pipe Up To The End of Inlet
	2. Water Is Continuously Leaking Inside The Bowl	Closet Is Not Leveled Properly	Closet Should be In Proper Level
	3. Water Quantity Insufficient For Effective Flushing	Connection Between Closet Outlet And Drainage Pipe Is Not Proper	Should Be Done By Proper Connection By Experienced Plumber
Couple Closet (2 Pcs Closet)	1. Uneven Flow Of Water From Both Side of Closet Bowl.	Both Arm Of Diverter Pipe Not Inserted Equally In Both Side Of The Closet	Both Arm of Diverted Pipe Should Be Inserted Equally In Both Side Of The Closet
		Diverted Pipe Not Fixed Properly In The Outlet Of Cistern	Diverted Pipe Should Be Fixed Properly In The Outlet Of Cistern
	2. Water Is Leaking Between The Cistern And Closet.	Rubber Ring Containing Bolt Is Not Tightened Properly	Rubber Ring Containing Bolt Should Be Tightened Properly.



WALL HUNG BASIN

As per shown in the picture, the rag bolt must be grouted into the cement/concrete wall. The bolts must be fixed to the cement/concrete wall. Allow setting & checking than install it using nut and washer.

COUNTER WASHBASIN

At the beginning

1. A skilled or experienced person should install counter lavatories.
2. Avoid using adhesive with this product.
3. Check the waste area and supply tubing if required.
4. Do not open the lavatory from its protective carton until you are ready for installation.
5. Please follow all local building and plumbing codes.



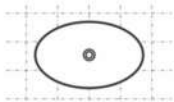
MATERIAL & TOOLS

Measure tape, Keyhole or saber saw, Hammer, Glasses, Rags or Paper toweling, Drill (1/2 dia, drill bit or larger), Pencil, Sealant, Sharp Knife or Scissors.

INSTALLATION OF LAVATORY

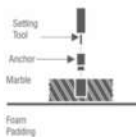
Please Note : Please install it in a way that future removal from underneath the counter top is possible without damaging the counter top.

1. Please check the desired location for clearance between the back splash, faucet, Fixture and cabinet.
2. Please cut the template.
3. Please carefully trace the template on the counter top directed.
4. Please mark the faucet hole centerline on the counter top.
5. Please drill a 1/2" pilot on the inside of the cut line.



For Wood Counter tops:

1. Mark and pre-drill the wood screw holes at the locations shown on the template.
2. Waterproof any exposed areas of wood.



For Marble Counter tops:

1. Position the counter top upside down on foam padding to protect the surface. Mark and drill 3/6" holes 5/8" deep at the locations shown on the template.
2. Use a setting tool and hammer to secure the anchors.



For All Installations:

1. If the counter top has not been installed, install it at this time.
2. Drill the faucet holes according to the faucet installation instructions.
3. Install the faucet to the counter top according to the manufacture's instructions.
4. Install the drain to the lavatory according to the manufacture's instructions.



Trust.. Value.. Commitment

Manufactured & Marketed By:

PEARL PRECISION PRODUCTS PVT. LTD.

HEAD OFFICE:

B-46 & 47, Sector 81, Noida, Uttar Pradesh, India-201305

CORPORATE OFFICE:

B-14, Sector 80, Noida, Uttar Pradesh, India-201305

WORKS

C-86, Sector 88, Noida, Uttar Pradesh, India-201305

PRECISION SANITARY PRODUCTS PVT. LTD.

WORKS :

B-86, Sector 80, Noida, Uttar Pradesh, India-201305

E-mail : enquiry@pproducts.in

Website : www.pearlprecisionproducts.com

